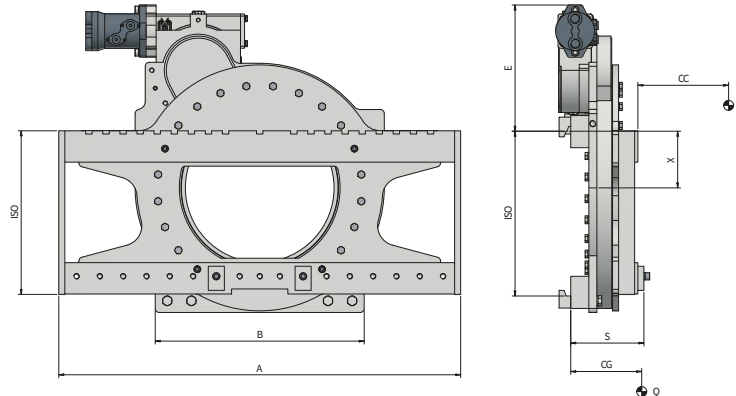


## 30I 360° Rotator



Hydraulic functions: 1 | Max working pressure: 175 Bar

### Features:

- Continuous rotation of 360° in both directions.
- Recommended use of forks with reinforced lower hooks.

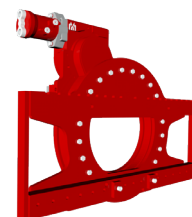
### Special Equipment:

- Special widths and/or strokes.
- Forks.
- Load Backrest.
- Pin-Type Forks.
- Special versions for Agriculture, Fish Industry and Foundries.

Article	Attachment Capacity	Load Centre of Gravity	ISO	Carriage Width	Height	Minimum Fork Carriage	Rotation Centre	Oil Volume	Torque	Thickness	Centre of Gravity	Weight
N°	P (kg)	CC (mm)	2328	A (mm)	E (mm)	B (mm)	X (mm)	V (L/spin)	Nm P (100 Bar)	S (mm)	CG (mm)	Q (kg)
23EC42C0002	1600	500	2	1000	314	580	141	8.1	6700	167	78	184
23EE82C0002	2200	500	2	1100	314	580	141	8.1	6700	167	79	187
23EH23C0002	3000	500	3	1150	335,5	750	185	8.8	7400	177	80	310
23EHS3C0002	3400	500	3	1270	335,5	750	185	8.8	12300	177	81	320
23EK63C0004	4200	500	3	1400	335,5	750	185	8.8	12300	177	83	330
23EL83C0002	4800	500	3	1660	335,5	750	185	8.8	12300	177	86	340
23EKR4C0001	4500	600	4	1350	305,5	1060	235	12	13000	203	93	576
23ELM4C0001	5000	600	4	1600	305,5	1060	235	12	13000	203	95	600
23END4C0001	5500	600	4	1800	305,5	1060	235	14	14100	203	92	670
23EQ54C0001	7000	600	4	2000	287	1050	262	18	16200	231	112	838
23ER04C0002	8000	600	4	2000	287	1050	262	22	24200	231	112	838
23ERQ5C0001	10000	600	5	2000	360	1630	224	26	29500	256	132	1450

Oil flow rate	
ISO	(L/min)
2	25
3	25
4	30/35*
5	35

Rotation



Please refer to our catalogue for further Special Equipment