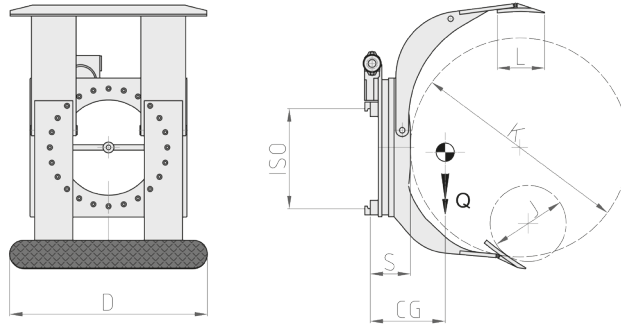


### 340 SF 360° Rotating Roll Clamp with short fixed arm



Hydraulic functions: 2 | Max working pressure: 175 Bar

#### Features:

- Clamping and rotation of one or more overlapping rolls of the same diameter.
- Short fixed arm and long entire arm.
- 360° or 180° rotation with mechanical block.

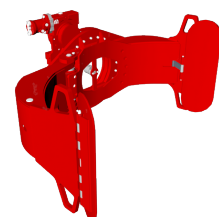
#### Special Equipment:

- Custom made capacities/openings.
- Custom made Contact Pads.
- Rotating or Fixed Clamp with parallel arms with reduced dimensions for container loading/unloading operations.

Article	Attachment Capacity	ISO	Rolls Diameter		Contact Pads	Thickness	Centre of Gravity	Weight
N°	P (kg)	2328	J (mm)	K (mm)	DxL (mm)	S (mm)	CG (mm)	Q (kg)
21G002G2C0001	900	2	350	1100	700x200	178	200	400
21G002G2C0002	900	2	350	1400	700x200	178	205	480
21G002Q2C0001	1300	2	400	1150	750x250	186	220	520
21G002Q2C0002	1300	2	400	1300	750x250	186	230	525
21G00342C0003	2000	2	400	1300	850x250	202	235	620
21G00343C0002	2000	3	400	1300	850x250	202	235	750
21G00343C0003	2000	3	400	1600	850x250	202	240	820
21G003G3C0004	2600	3	550	1300	900x250	215	245	870
21G003G3C0005	2600	3	750	1600	900x250	215	255	940
21G003Q3C0003	3000	3	400	1300	1015x300	225	260	990
21G003W4C0001	3600	4	750	1800	1050x300	255	275	1440

Oil flow rate		
ISO	(L/min)	
	→  ←	↻
2	25	25
3	30	25
4	35	35

→||← Clamping  
↻ Rotation



Please refer to our catalogue for further Special Equipment