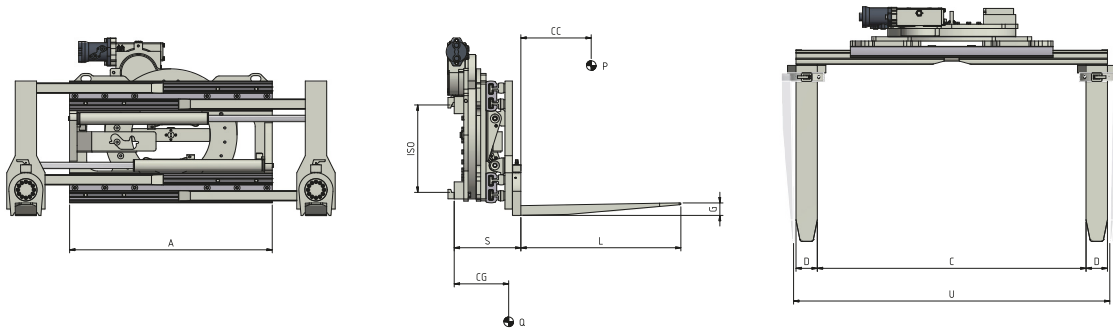


30I.474.ISO 360° Rotating Clamp with Rotating Forks



Hydraulic functions: 2 | Max working pressure: 175 Bar

Features:

- Handling goods on pallets or by clamping and rotation of the load. • Adjustable clamping force with hydraulic valve. • Pressure Relief Valve. • Non-return Valve. • Regenerative Valve. • Manual Fork rotation or by means of cylinders actuated by a hydraulic function of the Forklift.

Special Equipment:

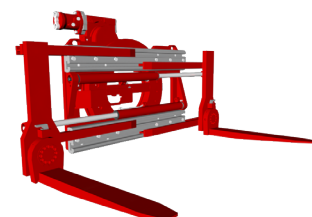
- Custom made widths/openings. • Custom made Forks. • Load Backrest. • Sideshifting Valve or Semi- Integral Sideshift.

Article	Clamping Capacity	Capacity On Forks	Load Centre of Gravity	ISO	Frame Width	Opening Range Between Forks		Opening Range Between 90° Rotated Forks		Forks	Thickness	Centre of Gravity	Weight
N°	PS (kg)	PF (kg)	CC (mm)	2328	A (mm)	C Min (mm)	C Max (mm)	U Min (mm)	U Max (mm)	DxGxL (mm)	S (mm)	CG (mm)	Q (kg)
11M05AQ2A0005*	1200	1400	500	2a	850	340	1380	590	1630	100x45x1000	321	228	433
11M05AQ2A0006	1200	1400	500	2a	950	440	1680	690	1930	100x45x1000	321	226	442
11M05AQ2A0001	1200	1400	500	2a	1050	540	1980	790	2230	100x45x1000	321	224	451
11M05AQ2A0007*	1200	1400	500	2a	1050	240	1380	490	1630	100x45x1000	321	229	448
11M05BE2A0013*	1400	1900	500	2a	950	310	1430	605	1725	120x50x1000	357	273	557
11M05BE2A0004*	1400	1900	500	2a	1050	310	1530	605	1825	120x50x1000	357	268	573
11M05BE2A0003	1400	1900	500	2a	1150	540	2090	835	2380	120x50x1000	357	264	589
11M05BE2A0014	1400	1900	500	2a	1250	440	1990	735	2285	120x50x1000	357	263	594
11M05CG2A0005*	1700	2100	500	2a	950	310	1430	605	1725	120x50x1000	357	273	557
11M05CG2A0006*	1700	2100	500	2a	1050	310	1530	605	1825	120x50x1000	357	268	573
11M05CG2A0007*	1700	2100	500	2a	1050	240	1390	535	1685	120x50x1000	357	261	565
11M05D62A0002*	1900	2400	500	2a	1050	250	1450	590	1790	150x50x1000	357	250	590
11M05D62A0008	1900	2400	500	2a	1150	400	1850	740	2190	150x50x1000	357	246	595
11M05D62A0009*	1900	2400	500	2a	1150	200	1450	540	1790	150x50x1000	357	248	595
11M05D62A0010	1900	2400	500	2a	1250	500	2150	840	2490	150x50x1000	357	243	621
11M05D62A0011	1900	2400	500	2a	1350	600	2450	940	2790	150x50x1000	357	240	637
11M05EY3A0002*	2400	2900	500	3a	1050	250	1450	590	1790	150x50x1000	357	250	630
11M05EY3A0009	2400	2900	500	3a	1150	400	1850	740	2190	150x50x1000	357	246	645
11M05EY3A0010*	2400	2900	500	3a	1150	200	1450	540	1790	150x50x1000	357	248	635
11M05G03A0006	2700	3500	500	3a	1100	430	1800	790	2160	150x60x1000	409	266	828
11M05G03A0007	2700	3500	500	3a	1200	330	1700	690	2060	150x60x1000	409	263	854
11M05G03A0008	2700	3500	500	3a	1300	430	2000	790	2360	150x60x1000	409	260	872
11M05G03A0009	2700	3500	500	3a	1400	530	2300	890	2660	150x60x1000	409	256	908

* Europallet handling models

Oil flow rate		
ISO	(L/min)	
	→ ←	↻
2	25	20
3	25	25

→|← Clamping
↻ Rotation



Please refer to our catalogue for further Special Equipment