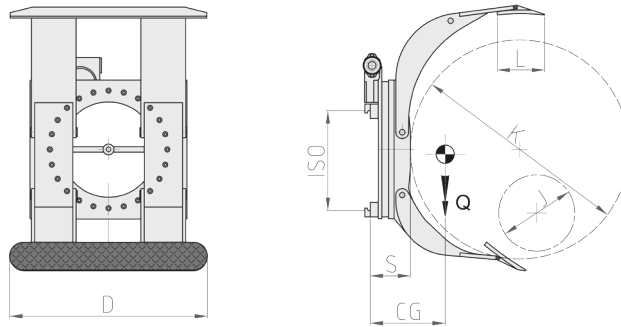


## 340 SM 360° Rotating Roll Clamp with adjustable arms



Hydraulic functions: 2 | Max working pressure: 175 Bar

### Features:

- Clamping and rotation of one or more overlapping rolls of the same diameter.
- Short adjustable arm and long entire arm.
- 360° or 180° rotation with mechanical block.

### Special Equipment:

- Custom made capacities/openings.
- Custom made Contact Pads.
- Rotating or Fixed Clamp with parallel arms with reduced dimensions for container loading/unloading operations.

Article	Attachment Capacity	ISO	Rolls Diameter		Contact Pads	Thickness	Centre of Gravity	Weight
N°	P (kg)	2328	J (mm)	K (mm)	DxL (mm)	S (mm)	CG (mm)	Q (kg)
21G012G2C0001	900	2	250	1100	700x200	178	205	460
21G012G2C0002	900	2	250	1400	700x200	178	210	520
21G012Q2C0001	1300	2	250	1150	750x250	186	225	550
21G012Q2C0002	1300	2	250	1300	750x250	186	235	575
21G01342C0001	2000	2	250	1300	850x250	202	240	670
21G01343C0002	2000	3	250	1300	850x250	202	240	790
21G01343C0003	2000	3	250	1600	850x250	202	245	960
21G013G3C0004	2600	3	300	1300	900x250	215	250	860
21G013G3C0005	2600	3	480	1600	900x250	215	260	995
21G013Q3C0001	3000	3	250	1300	1015x300	225	265	1060
21G013W4C0001	3600	4	480	1800	1050x300	255	270	1495

Oil flow rate		
ISO	(L/min)	
	→  ←	↻
2	25	25
3	30	25
4	35	35

→||← Clamping  
↻ Rotation



Please refer to our catalogue for further Special Equipment