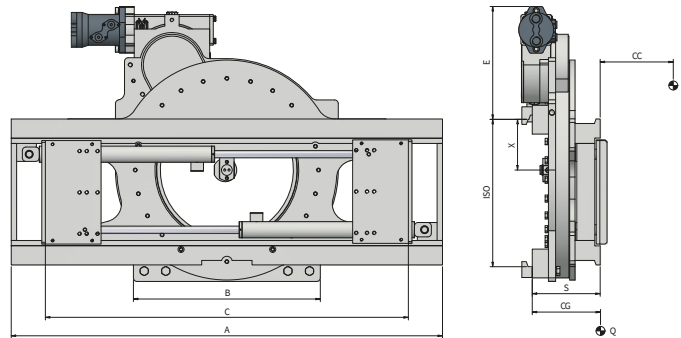


30I RFI 360° Rotator with Integral Fork Positioner



Hydraulic functions: 2 | Max working pressure: 175 Bar

Features:

- Continuous rotation of 360° in both directions.
- Distance between forks hydraulically adjustable.
- Suitable for loads of different sizes.
- Recommended use of forks with reinforced lower hooks.

Special Equipment:

- Special widths and/or strokes.
- Forks.
- Load Backrest.
- Special versions for Agriculture, Fish Industry and Foundries.

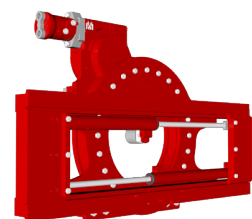
Article	Attachment Capacity	Load Centre of Gravity	ISO	Carriage Width	Height	Minimum Fork Carriage	Rotation Centre	Opening Range		Torque	Thickness	Centre of Gravity	Weight
N°	P (kg)	CC (mm)	2328	A (mm)	E (mm)	B (mm)	X (mm)	C Min (mm)	C Max (mm)	Nm P (100 Bar)	S (mm)	CG (mm)	Q (kg)
23EC42C3001	1600	500	2	900	314	580	141	320	900	6700	189	95	236
23EC42C3002	1600	500	2	1000	314	580	141	320	1000	6700	189	96	246
23EE82C3010	2200	500	2	1000	314	580	141	320	1000	6700	189	96	246
23EE82C3002	2200	500	2	1100	314	580	141	320	1100	6700	189	97	256
23EH23C3006	3000	500	3	1100	335,5	750	185	430	1100	7400	197	99	400
23EH23C3002	3000	500	3	1150	335,5	750	185	430	1150	7400	197	100	406
23EH23C3003	3000	500	3	1270	335,5	750	185	430	1270	7400	197	101	416
23EHS3C3001	3400	500	3	1150	335,5	750	185	430	1150	12300	197	100	406
23EHS3C3002	3400	500	3	1270	335,5	750	185	430	1270	12300	197	101	416
23EK63C3001	4200	500	3	1270	335,5	750	185	430	1270	12300	197	101	416
23EK63C3002	4200	500	3	1660	335,5	750	185	430	1660	12300	197	106	436
23EL83C3001	4800	500	3	1270	335,5	750	185	430	1270	12300	197	101	416
23EL83C3002	4800	500	3	1660	335,5	750	185	430	1660	12300	197	106	436
23ELM4C3001	5000	600	4	1600	305,5	1060	235	560	1600	13000	227	117	734
23END4C3001	5500	600	4	1800	305,5	1060	235	560	1800	14100	227	120	760
23EQ54C3001	7000	600	4	2000	287	1050	262	560	2000	16200	276	140	950
23ER04C3002	8000	600	4	2000	287	1050	262	560	2000	24200	276	140	950

Accessories on request

SLI - Sideshifting Valve (requires an additional hydraulic function)

Oil flow rate		
ISO	(L/min)	
	↔	↻
2	25	35
3	25/30*	35
4	30	35

↔ Opening
↻ Closing
↻ Rotation



Please refer to our catalogue for further Special Equipment