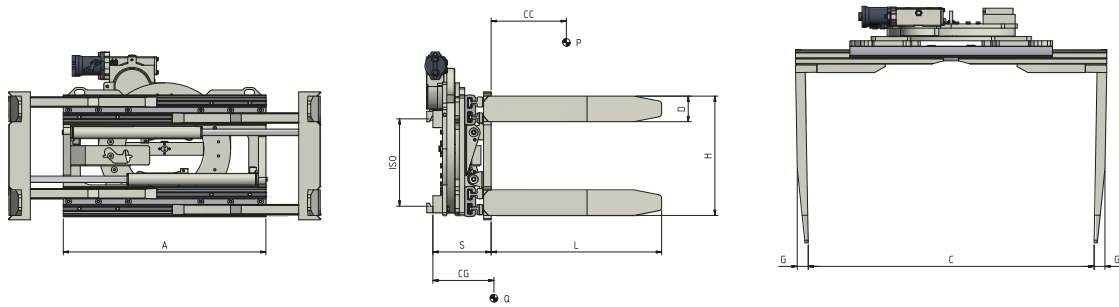


## 30I.474.4 360° Rotating Clamp with 4 Forks



Hydraulic functions: 2 | Max working pressure: 175 Bar

### Features:

- Handling goods on pallets or by clamping and rotation of the load. • Overturning of the load to replace pallets, thanks to the couple of welded forks on each profile.
- Adjustable clamping force with hydraulic valve. • Pressure Relief Valve. • Non-return Valve. • Regenerative Valve.

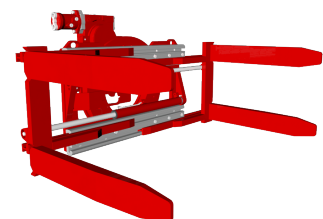
### Special Equipment:

- Custom made widths/openings. • Custom made Forks. • Load Backrest. • Sideshifting Valve or Semi- Integral Sideshift.

| Article       | Attachment Capacity | Load Centre of Gravity | ISO  | Frame Width | Opening Range |            | Forks       | Distance | Thickness | Centre of Gravity | Weight |
|---------------|---------------------|------------------------|------|-------------|---------------|------------|-------------|----------|-----------|-------------------|--------|
|               |                     |                        |      |             | C Min (mm)    | C Max (mm) |             |          |           |                   |        |
| N°            | P (kg)              | CC (mm)                | 2328 | A (mm)      | C Min (mm)    | C Max (mm) | DxGxL (mm)  | H (mm)   | S (mm)    | CG (mm)           | Q (kg) |
| 11M33AQ2A0008 | 1200                | 500                    | 2    | 850         | 420           | 1460       | 120x45x800  | 560      | 274       | 142               | 387    |
| 11M33AQ2A0009 | 1200                | 500                    | 2    | 950         | 520           | 1760       | 120x45x800  | 560      | 274       | 147               | 394    |
| 11M33AQ2A0010 | 1200                | 500                    | 2    | 1050        | 620           | 2060       | 120x45x800  | 560      | 274       | 158               | 403    |
| 11M33BE2A0014 | 1400                | 500                    | 2    | 950         | 420           | 1570       | 120x50x1000 | 560      | 307       | 281               | 588    |
| 11M33BE2A0015 | 1400                | 500                    | 2    | 1050        | 520           | 1870       | 120x50x1000 | 560      | 307       | 301               | 608    |
| 11M33BE2A0016 | 1400                | 500                    | 2    | 1150        | 620           | 2170       | 120x50x1000 | 560      | 307       | 301               | 632    |
| 11M33BE2A0017 | 1400                | 500                    | 2    | 1250        | 520           | 2070       | 120x50x1000 | 560      | 307       | 312               | 662    |
| 11M33CG2A0006 | 1700                | 500                    | 2    | 950         | 420           | 1570       | 120x50x1000 | 560      | 307       | 281               | 588    |
| 11M33CG2A0007 | 1700                | 500                    | 2    | 1050        | 520           | 1870       | 120x50x1000 | 560      | 307       | 291               | 604    |
| 11M33D62A0001 | 1900                | 500                    | 2    | 1050        | 430           | 1680       | 150x50x1000 | 560      | 312       | 303               | 608    |
| 11M33D62A0002 | 1900                | 500                    | 2    | 1150        | 530           | 1980       | 150x50x1000 | 560      | 312       | 316               | 624    |
| 11M33D62A0003 | 1900                | 500                    | 2    | 1250        | 630           | 2280       | 150x50x1000 | 560      | 312       | 329               | 640    |
| 11M33EY3A0001 | 2400                | 500                    | 3    | 1050        | 430           | 1680       | 150x50x1150 | 560      | 312       | 303               | 681    |
| 11M33EY3A0002 | 2400                | 500                    | 3    | 1150        | 530           | 1980       | 150x50x1150 | 560      | 312       | 316               | 705    |
| 11M33G03A0001 | 2700                | 500                    | 3    | 1100        | 570           | 1940       | 180x50x1150 | 560      | 350       | 356               | 874    |
| 11M33G03A0002 | 2700                | 500                    | 3    | 1200        | 470           | 1840       | 180x50x1150 | 560      | 350       | 364               | 904    |
| 11M33G03A0003 | 2700                | 500                    | 3    | 1300        | 570           | 2140       | 180x50x1150 | 560      | 350       | 373               | 941    |
| 11M33G03A0004 | 2700                | 500                    | 3    | 1400        | 670           | 2440       | 180x50x1150 | 560      | 350       | 394               | 980    |
| 11M33HY3A0001 | 3500                | 500                    | 3    | 1200        | 490           | 1900       | 200x60x1200 | 560      | 360       | 375               | 949    |
| 11M33HY3A0002 | 3500                | 500                    | 3    | 1300        | 590           | 2100       | 200x60x1200 | 560      | 360       | 382               | 974    |
| 11M33HY3A0003 | 3500                | 500                    | 3    | 1400        | 690           | 2500       | 200x60x1200 | 560      | 360       | 389               | 998    |

| Oil flow rate |         |    |
|---------------|---------|----|
| ISO           | (L/min) |    |
|               | → ←     | ↻  |
| 2             | 25      | 20 |
| 3             | 25      | 25 |

→|← Clamping  
↻ Rotation



Please refer to our catalogue for further Special Equipment