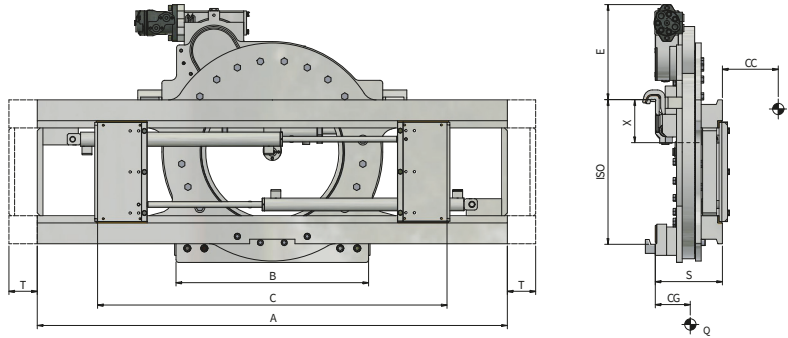


## 30I RFI SLS 360° Rotator with Integral Fork Positioner and Integral Sideshift



Hydraulic functions: 3 | Max working pressure: 175 Bar

### Features:

- Continuous rotation of 360° in both directions. • Distance between forks hydraulically adjustable. • Suitable for loads of different sizes. • Recommended use of forks with reinforced lower hooks.

### Special Equipment:

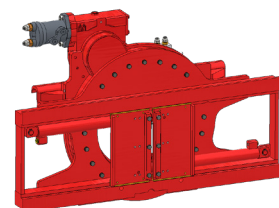
- Special widths and/or strokes. • Forks. • Load Backrest. • Special versions for Agriculture, Fish Industry and Foundries.

Article	Attachment Capacity	Load Centre of Gravity	ISO	Carriage Width	Height	Minimum Fork Carriage	Rotation Centre	Opening Range		Torque	Stroke	Thickness	Centre of Gravity	Weight
N°	P (kg)	CC (mm)	2328	A (mm)	E (mm)	B (mm)	X (mm)	C Min (mm)	C Max (mm)	Nm P (100 Bar)	T (mm)	S (mm)	CG (mm)	Q (kg)
23EC42C4001	1600	500	2	900	314	700	141	320	900	6700	± 100	212	109	279
23EC42C4002	1600	500	2	1000	314	700	141	320	1000	6700	± 100	212	110	289
23EE82C4010	2200	500	2	1000	314	700	141	320	1000	6700	± 100	212	110	289
23EE82C4002	2200	500	2	1100	314	700	141	320	1100	6700	± 100	212	111	299
23EH23C4006	3000	500	3	1100	335,5	900	185	430	1100	7400	± 100	237	126	437
23EH23C4002	3000	500	3	1150	335,5	900	185	430	1150	7400	± 100	237	127	443
23EH23C4003	3000	500	3	1270	335,5	900	185	430	1270	7400	± 100	237	128	453
23EHS3C4001	3400	500	3	1150	335,5	900	185	430	1150	12300	± 100	237	127	443
23EHS3C4002	3400	500	3	1270	335,5	900	185	430	1270	12300	± 100	237	128	453
23EK63C4001	4200	500	3	1270	335,5	900	185	430	1270	12300	± 100	237	128	453
23EK63C4002	4200	500	3	1660	335,5	900	185	430	1660	12300	± 100	237	133	473
23EL83C4001	4800	500	3	1270	335,5	900	185	430	1270	12300	± 100	237	128	453
23EL83C4002	4800	500	3	1660	335,5	900	185	430	1660	12300	± 100	237	133	473
23ELM4C4001	5000	600	4	1600	305,5	960	235	560	1600	13000	± 100	288	167	771
23END4C4001	5500	600	4	1800	305,5	960	235	560	1800	14100	± 100	288	170	797
23EQ54C4001	7000	600	4	2000	287	1300	262	560	2000	16200	± 150	337	192	985
23ER04C4002	8000	600	4	2000	287	1300	262	560	2000	24200	± 150	337	192	985

### Oil flow rate

ISO	(L/min)		
	↔	↑↓	↻
2	10	25	35
3	15	25/30*	35
4	18	30	35

- ↔ Shifting
- ↑↓ Opening
- ↻ Closing
- ↻ Rotation



Please refer to our catalogue for further Special Equipment