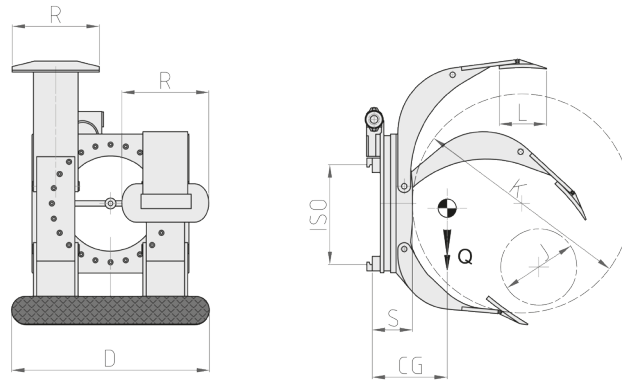


## 340 DM 360° Rotating Roll Clamp with adjustable arms and long split arm



Hydraulic functions: 2 | Max working pressure: 175 Bar

### Features:

- Clamping and rotation of one or more overlapping rolls of different diameters.
- Short adjustable arm and long split arm.
- 360° or 180° rotation with mechanical block.

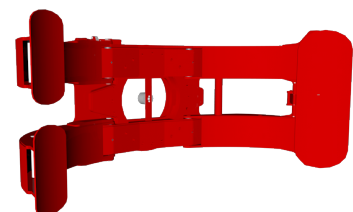
### Special Equipment:

- Custom made capacities/openings.
- Custom made Contact Pads.
- Rotating or Fixed Clamp with parallel arms with reduced dimensions for container loading/unloading operations.

Article	Attachment Capacity	ISO	Rolls Diameter		Short Arm Contact Pad	Long Arm Contact Pads	Thickness	Centre of Gravity	Weight
			J (mm)	K (mm)					
N°	P (kg)	2328	J (mm)	K (mm)	DxL (mm)	RxL (mm)	S (mm)	CG (mm)	Q (kg)
21G032G2C0001	900	2	250	1100	700x200	310x200	178	205	445
21G032G2C0002	900	2	250	1400	700x200	310x200	178	210	505
21G032Q2C0001	1300	2	250	1150	750x250	315x250	186	225	540
21G032Q2C0002	1300	2	250	1300	750x250	315x250	186	235	560
21G03342C0001	2000	2	250	1300	850x250	365x250	202	240	650
21G03343C0001	2000	3	250	1300	850x250	365x250	202	240	770
21G03343C0002	2000	3	250	1600	850x250	365x250	202	245	840
21G033G3C0003	2600	3	300	1300	900x250	390x250	215	250	910
21G033G3C0004	2600	3	480	1600	900x250	390x250	215	260	975
21G033Q3C0001	3000	3	250	1300	1015x300	445x300	225	265	1030
21G033W4C0001	3600	4	480	1800	1050x300	465x300	255	270	1465

Oil flow rate		
ISO	(L/min)	
	→  ←	↻
2	25	25
3	30	25
4	35	35

→||← Clamping  
↻ Rotation



Please refer to our catalogue for further Special Equipment