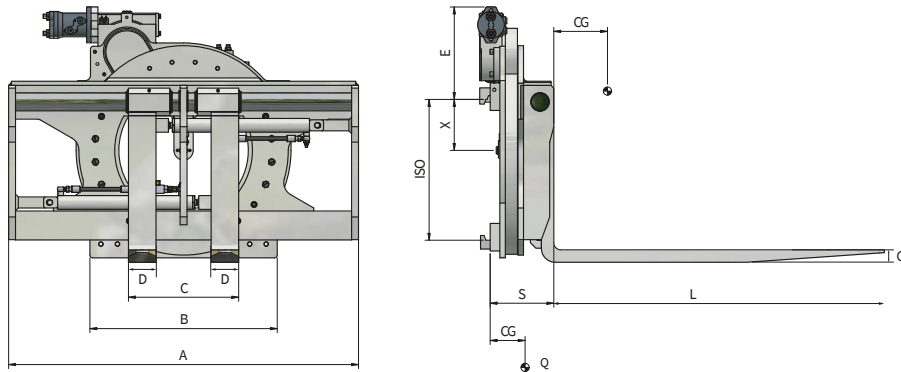


30I PPT 360° Rotator with Integral Fork Positioner and Pin-Type Forks



Hydraulic functions: 2 | Max working pressure: 175 Bar

Features:

- Continuous rotation of 360° in both directions.
- Suitable for loads of different sizes.
- Recommended use of forks with reinforced lower hooks.

Special Equipment:

- Special widths and/or strokes.
- Custom made Forks.
- Load Backrest.
- Special versions for Agriculture, Fish Industry and Foundries.

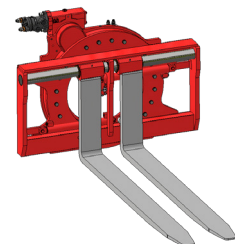
Article	Attachment Capacity	Load Centre of Gravity	ISO	Carriage Width	Height	Minimum Fork Carriage	Rotation Centre	Opening Range		Forks	Torque	Thickness	Centre of Gravity	Weight
N°	P (kg)	CC (mm)	2328	A (mm)	E (mm)	B (mm)	X (mm)	C Min (mm)	C Max (mm)	DxGxL (mm)	Nm P	S (mm)	CG (mm)	Q (kg)
23EC42A3003	1600	500	2a	1000	314	580	141	360	930	100x40x1200	6700	224	246	360
23EE82A3001	2200	500	2a	1100	314	580	141	360	1030	100x40x1200	6700	224	244	375
23EHS3A3007	3000	500	3a	1150	335,5	750	185	400	1080	120x45x1200	7400	232	223	500
23EHS3A3008	3400	500	3a	1270	335,5	750	185	400	1200	120x45x1200	12300	232	220	506
23EK63A3009	4200	500	3a	1350	335,5	750	185	400	1280	150x50x1200	12300	237	251	550
23EL83A3008	4800	500	3a	1660	335,5	750	185	400	1590	150x50x1200	12300	237	247	567
23ELM3A3002	5000	600	3a	1350	305,5	920	185	550	1260	150x60x1200	13000	289	238	920
23ELM4A3005	5000	600	4a	1600	305,5	1060	262	550	1510	150x60x1200	13000	285	226	971
23END4A3004	5500	600	4a	1800	305,5	1060	262	550	1710	150x60x1200	14100	285	210	1100
23EQ54A3004	7000	600	4a	2000	287	1050	262	550	1910	150x60x1200	16200	316	240	1170
23ER04A3002	8000	600	4a	2000	287	1050	262	550	1910	200x60x1200	24200	316	260	1250

Accessories on request

SLI - Sideshifting Valve (requires an additional hydraulic function)

Oil flow rate		
ISO	(L/min)	
	↔	↻
2	25	35
3	25	35
4	30	35

↔ Opening
↔ Closing
↻ Rotation



Please refer to our catalogue for further Special Equipment