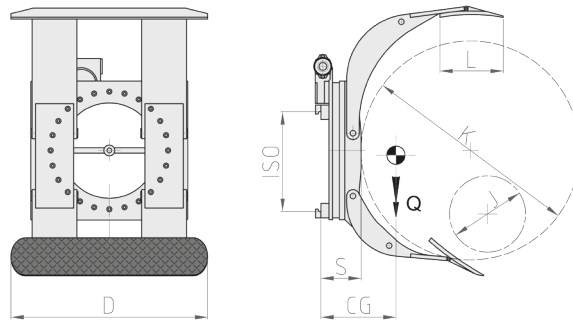


340 TM 360° Rotating TISSUE Roll Clamp with adjustable arms



Hydraulic functions: 2 | Max working pressure: 175 Bar

Features:

- Clamping and rotation of one or more overlapping rolls of the same diameter.
- Short adjustable arm and long entire arm.
- 360° or 180° rotation with mechanical block.

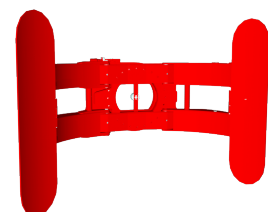
Special Equipment:

- Custom made capacities/openings.
- Custom made Contact Pads.
- Rotating or Fixed Clamp with parallel arms with reduced dimensions for container loading/unloading operations.

Article	Attachment Capacity	ISO	Rolls Diameter		Contact Pads	Thickness	Centre of Gravity	Weight
N°	P (kg)	2328	J (mm)	K (mm)	DxL (mm)	S (mm)	CG (mm)	Q (kg)
21G052G2C0001	900	2	250	1400	850x300	178	220	525
21G052Q2C0001	1300	2	250	1600	1300x350	186	255	650
21G05343C0001	2000	3	250	1600	1400x350	202	265	1025
21G053G3C0001	2600	3	480	1800	1400x350	215	280	1140
21G053G4C0005	2600	4	480	2400	1400x350	270	285	1980

Oil flow rate		
ISO	(L/min)	
	→ ←	↻
2	25	25
3	30	25
4	30	30

→||← Clamping
↻ Rotation



Please refer to our catalogue for further Special Equipment