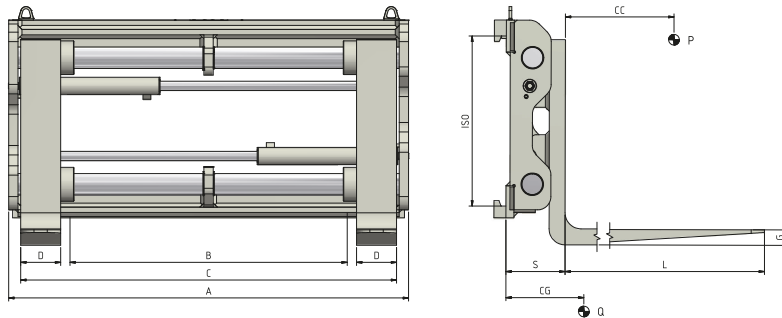


673 FS Double Pin-Type Fork Positioner with Welded Forks



Hydraulic functions: 1 | Max working pressure: 80 Bar

Features:

- Flow divider for a constant and synchronised movement of the forks. • For particularly demanding use. • Pressure Relief Valve.

Special Equipment:

- Special widths and/or openings. • Custom made Forks. • Load Backrest. • Check valve for barrel grabbing.

Article	Attachment Capacity	Load Centre of Gravity	ISO	Carriage Width	Minimum Fork Carriage	Opening Range		Forks	Thickness	Centre of Gravity	Weight
N°	P (kg)	CC (mm)	2328	A (mm)	B (mm)	C Min (mm)	C Max (mm)	DxGxL (mm)	S (mm)	CG (mm)	Q (kg)
18YFA2A0001	2500	500	2a	980	750	360	930	120x40x1200	160	242	235
18YFA2A0002	2500	500	2a	1040	750	360	990	120x40x1200	160	241	245
18YFA2A0003	2500	500	2a	1100	750	360	1050	120x40x1200	160	239	255
18YFA2A0004	2500	500	2a	1150	750	360	1100	120x40x1200	160	237	265
18YLL3A0001	5000	500	3a	1150	880	400	1080	150x50x1200	192	262	425
18YLL3A0002	5000	500	3a	1250	880	400	1180	150x50x1200	192	255	440
18YLL3A0003	5000	500	3a	1350	1000	400	1280	150x50x1200	192	251	455
18YLL3A0004	5000	500	3a	1560	1210	400	1490	150x50x1200	192	239	480
18YLL3A0005	5000	500	3a	1660	1210	400	1590	150x50x1200	192	234	500
18YLM4A0004	5000	600	4a	1200	900	550	1110	150x60x1200	222	222	565
18YLM4A0005	5000	600	4a	1400	1100	550	1310	150x60x1200	222	220	620
18YR04A0001	8000	600	4a	1740	1450	550	1650	200x60x1200	220	227	750
18YR04A0002	8000	600	4a	1800	1500	550	1710	200x60x1200	220	225	760
18YR04A0003	8000	600	4a	2000	1700	550	1910	200x60x1200	220	219	800
18YR14A0001	8000	900	4a	2200	2070	550	2110	200x70x1200	231	265	880
18YR14A0002	8000	900	4a	2400	2070	550	2310	200x70x1200	231	245	900

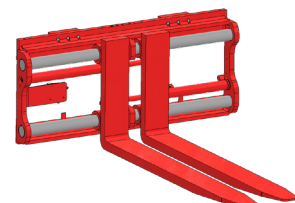
Accessories on request

SLI - Sideshifting Valve (requires an additional hydraulic function)

Bolt-on Forks

Oil flow rate	
ISO	(L/min)
	↕
2	15
3	20
4	40/45*

↕ Opening
↕ Closing



Please refer to our catalogue for further Special Equipment