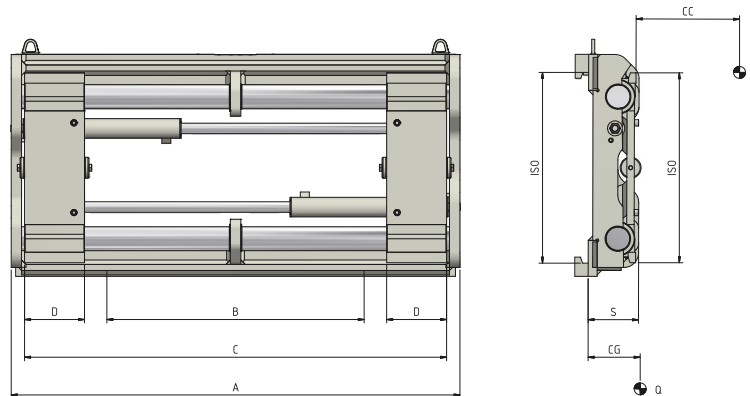


673 Double Pin-Type Fork Positioner for ISO Forks



Hydraulic functions: 1 | Max working pressure: 80 Bar

Features:

- Flow divider for a constant and synchronised movement of the forks. • For particularly demanding use. • Adjustable plates for use of forks with different sections.
- Pressure Relief Valve.

Special Equipment:

- Special widths and/or openings. • Standard or telescopic Forks. • Load Backrest. • Check valve for barrel grabbing.

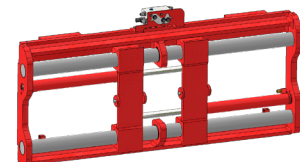
Article	Attachment Capacity	Load Centre of Gravity	ISO	Carriage Width	Minimum Fork Carriage	Opening Range		Fork Width	Thickness	Centre of Gravity	Weight
N°	P (kg)	CC (mm)	2328	A (mm)	B (mm)	C Min (mm)	C Max (mm)	D (mm)	S (mm)	CG (mm)	Q (kg)
18ZFA2C0001	2500	500	2a	980	750	360	930	130	120	56	145
18ZFA2C0002	2500	500	2a	1040	750	360	990	130	120	56	155
18ZFA2C0003	2500	500	2a	1100	750	360	1050	130	120	55	165
18ZFA2C0004	2500	500	2a	1150	750	360	1100	130	120	55	175
18ZLL3C0003	5000	500	3a	1150	880	400	1080	150	148	71	245
18ZLL3C0001	5000	500	3a	1250	880	400	1180	150	148	66	260
18ZLL3C0004	5000	500	3a	1350	1000	400	1280	150	148	64	290
18ZLL3C0002	5000	500	3a	1560	1210	400	1490	150	148	58	315
18ZLL3C0005	5000	500	3a	1660	1210	400	1590	150	148	57	335
18ZLM4C0001	5000	600	4a	1200	900	550	1110	150	158	70	365
18ZLM4C0002	5000	600	4a	1400	1100	550	1310	150	158	68	400
18ZR04C0003	8000	600	4a	1740	1450	550	1650	200	158	70	480
18ZR04C0004	8000	600	4a	1800	1500	550	1710	200	158	70	505
18ZR04C0005	8000	600	4a	2000	1700	550	1910	200	158	71	525
18ZR14C0001	8000	900	4a	2200	2070	550	2110	200	158	73	630
18ZR14C0002	8000	900	4a	2400	2070	550	2310	200	158	72	675

Accessories on request

SLI - Sideshifting Valve (requires an additional hydraulic function)

Oil flow rate	
ISO	(L/min)
2	15
3	20
4	40/45*

↑ Opening
↓ Closing



Please refer to our catalogue for further Special Equipment